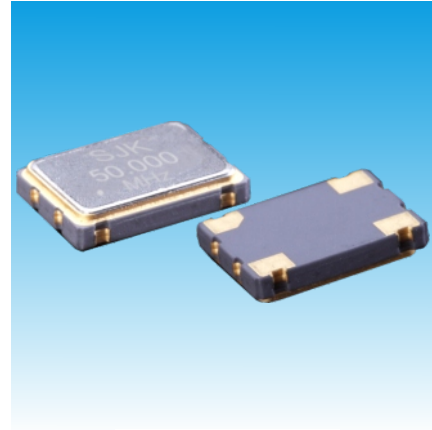
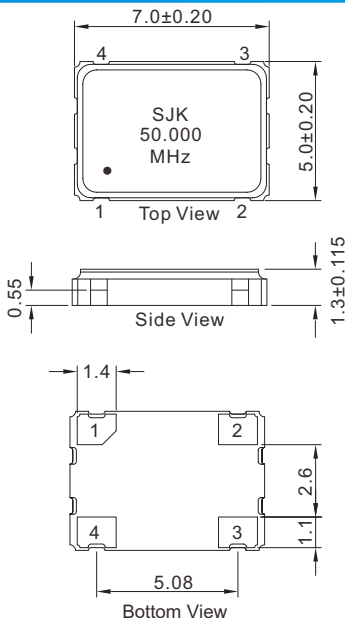


Features

- Package size with 7.0×5.0×1.3mm
- Frequency range from 1MHz to 170MHz
- Low voltage operation: 1.8~5.0V
- Low current consumption
- 3-state function
- Automatic mounting and reflow soldering
- Applications: FC-HBA, LCDM, SONET, FA Equipment, Sever, etc.
- RoHS Compliant & Pb Free


Standard Specifications

Type	6N SMD Crystal Oscillator
Output Type	CMOS
Output Load	15pF, or specify
Supply Voltage	1.8~5.0V
Frequency Range	1~170 MHz
Supply Current	20mA Max.
Frequency Stability	±20ppm, ±30ppm, or specify
Operating Temperature	-40~+85°C, or specify
Storage Temperature	-55~+125°C
Voltage Vol (Max.) /Voh (Min.)	0.1VDD / 0.9 VDD
Rise (Tr) /Fall (Tf) Time	8ns Max.
Period Jitter	40ps Max.
Duty Cycle	40~60%
Start-up Time	5ms Max.
Phase Jitter (12KHz~20MHz)	1ps Max.
Aging (at 25°C)	±3ppm / Year Max.
Packing Units	1000pcs. /Reel

Dimensions [mm]

Pin Connections

Pin No.	Connection
1	OE (Output Enable)
2	GND
3	Output
4	Vcc

