

**Features**

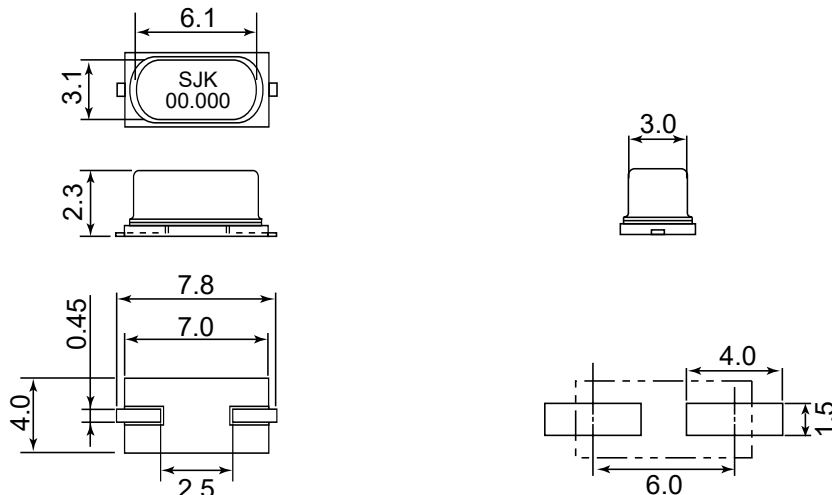
- High Reliability & Low Cost
- Proven Resistance Welded Metal Package
- Tight Stability & Extended Temperature
- Wide Frequency Range
- Applications: *IoT, Consumer Electronics, HDTV, Communications, Visual Applications, etc.*
- RoHS Compliant & Pb Free


**Standard Specifications**

Type	6P Series Mini SMD Crystal
Frequency Range	3.2768~100 MHz
Frequency Tolerance (at 25°C)	±20ppm, or specify
Frequency Stability (over Operating Temp.)	±20ppm, or specify
Operating Temperature Range	-40~+85°C, or specify
Shunt Capacitance (C <sub>0</sub> )	5pF Max.
Drive Level	300μW Max.
Load Capacitance	16pF, 20pF, or specify
Aging (at 25°C)	±3ppm / year Max.
Storage Temperature Range	-55~+125°C
Packing Unit	1000pcs./Reel

**Equivalent Series Resistance**

Fundamental		3rd Overtone	
5~10MHz	100Ω Max.	27~30MHz	100Ω Max.
10~14MHz	80Ω Max.	30~50MHz	80Ω Max.
14~36MHz	60Ω Max.	50~100MHz	60Ω Max.

**Dimensions [mm]**


Tolerance: ±0.2