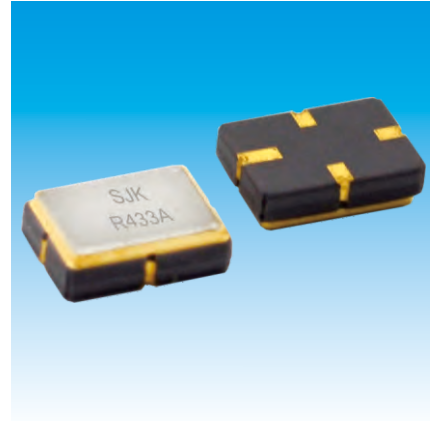


Features

- Ceramic Package for Surface Mounted Technology (SMT)
- Package Size 5.0x3.5x1.5 mm
- RoHS Compatible
- Package Code QCC4A

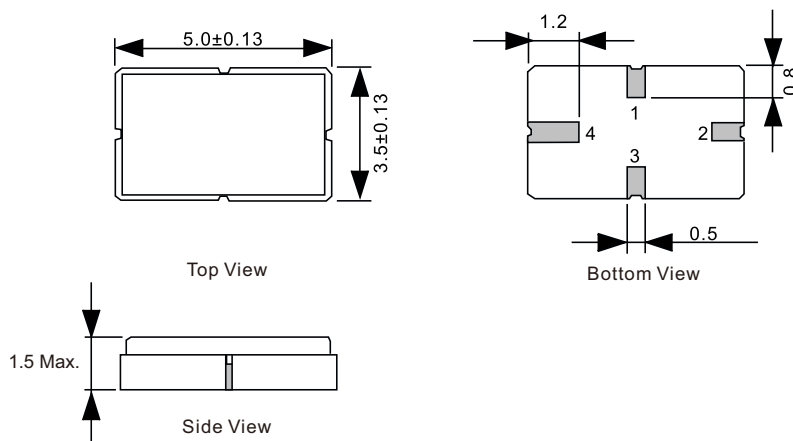


Standard Specifications

P/N	Center Frequency (MHz)	Frequency Tolerance (kHz)	Insertion Loss (dB)	Package Code
R315	315	±30 /±75	1.2	QCC4A
R318	318	±30 /±75	1.2	QCC4A
R346.8	346.8	±30 /±75	1.2	QCC4A
R370	370	±30 /±75	1.4	QCC4A
R423.22	423.220	±30 /±75	1.4	QCC4A
R433.42	433.420	±30 /±75	1.1	QCC4A
R433	433.92	±30 /±75	1.3	QCC4A
R434.42	434.42	±30 /±75	1.4	QCC4A
R868	868.35	±75 /±150	1.0	QCC4A

For other frequencies and specifications, please contact our sales department.

Dimensions [mm]



Pin Function

Pin No.	Function
1	Input/Output
2 / 4	GND
3	Output/Input