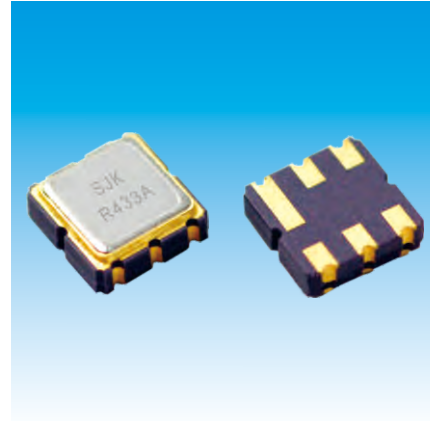


Features

- 1-Port Resonator
- Ceramic Package for Surface Mounted Technology (SMT)
- Package Size 3.0x3.0x1.25 mm
- RoHS Compatible
- Package Code DCC6C
- Electrostatic Sensitive Device (ESD)

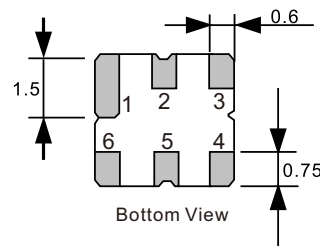
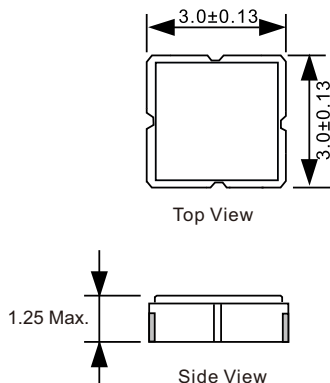


Standard Specifications

| P/N | Center Frequency (MHz) | Frequency Tolerance (kHz) | Insertion Loss (dB) | Package Code |
|---------|------------------------|---------------------------|---------------------|--------------|
| R314.9 | 314.9 | ±30 /±75 | 1.4 | DCC6C |
| R315 | 315 | ±30 /±75 | 1.4 | DCC6C |
| R320 | 320 | ±30 /±75 | 1.5 | DCC6C |
| R400 | 400 | ±30 /±75 | 1.61 | DCC6C |
| R418 | 418 | ±30 /±75 | 1.6 | DCC6C |
| R433.42 | 433.420 | ±30 /±75 | 1.4 | DCC6C |
| R433 | 433.92 | ±30 /±75 | 1.4 | DCC6C |
| R460 | 460 | ±30 /±75 | 1.4 | DCC6C |
| R490 | 490 | ±30 /±75 | 1.4 | DCC6C |
| R491 | 491.25 | ±30 /±75 | 1.8 | DCC6C |
| R863 | 863.3 | ±75 /±150 | 1.1 | DCC6C |
| R868 | 868.350 | ±75 /±150 | 1.0 | DCC6C |
| R915 | 915 | ±75 /±150 | 1.2 | DCC6C |
| R922 | 922.625 | ±75 /±150 | 1.0 | DCC6C |

For other frequencies and specifications, please contact our sales department.

Dimensions [mm]



Pin Function

| Pin No. | Function |
|------------|---------------|
| 2 | Input /Output |
| 1 /3 /4 /6 | Case Ground |
| 5 | Output /Input |