

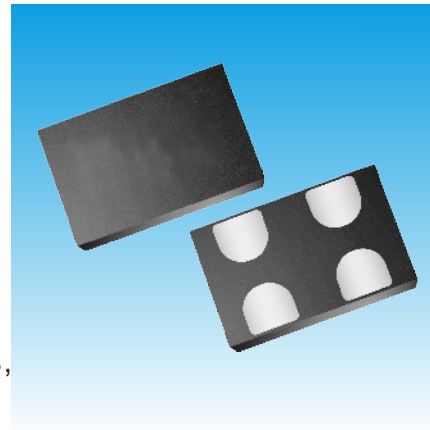
# SJK8009 MEMS MHz Oscillator



Low Power Programmable Oscillator Frequency: 115~137MHz

## Features

- High frequency range from 115MHz to 137MHz
- Excellent frequency stability as low as  $\pm 20$ ppm
- Low power consumption of 4.9mA at 1.8V
- Standby mode for longer battery life
- Fast startup time of 5ms
- LVCMOS/HCMOS output type
- Size with 2.0×1.6, 2.5×2.0, 3.2×2.5, 5.0×3.2, 7.0×5.0 mm×mm
- Automatic mounting and reflow soldering
- Applications: GPON/EPON, Network switches, Routers, Server, Embedded systems, etc
- RoHS Compliant /Pb Free

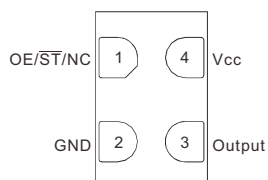


## Standard Specification

Item /Type	SJK8009
Output Type	LVCMOS/HCMOS
Frequency Range	115~137MHz
Supply Voltage	1.8V~3.3V
Frequency Stability	$\pm 20$ ppm~ $\pm 50$ ppm, or specify
Current Consumption	7.5mA Max.
Standby Current	4.3mA Max.
OE Disable Current	4.2mA Max.
Operating Temperature	-40~+85°C
Duty Cycle	45~55%
Rise/Fall Time	2.5ns Max.
Voltage Vol (Max.)/Voh (Min.)	10% Vcc/90%Vcc
Voltage Vil (Max.)/Vih (Min.)	30% Vcc/70% Vcc
Input Pull-up Impedance	150K $\Omega$ Max. (Pin1 Logic High)
	2M $\Omega$ Min. (Pin1 Logic Low)
Start-up Time	5ms Max.
Enable/Disable Time	122ns Max.
Resume Time	5ms Max.
RMS Period Jitter	4pS Max
Peak to Peak Period Jitter	30pS Max.
RMS Phase Jitter (12KHz~20MHz)	2pS Max.
Storage Temperature	-65~+150°C
Packing Unit	2016, 2520, 3225 size
	5032, 7050 size
	3000pcs.Reel
	1000pcs.Reel

## Pin Functions

Top View



### Pin Connections

Pin No.	Connection
1	OE /ST /NC
2	GND
3	Output
4	Vcc

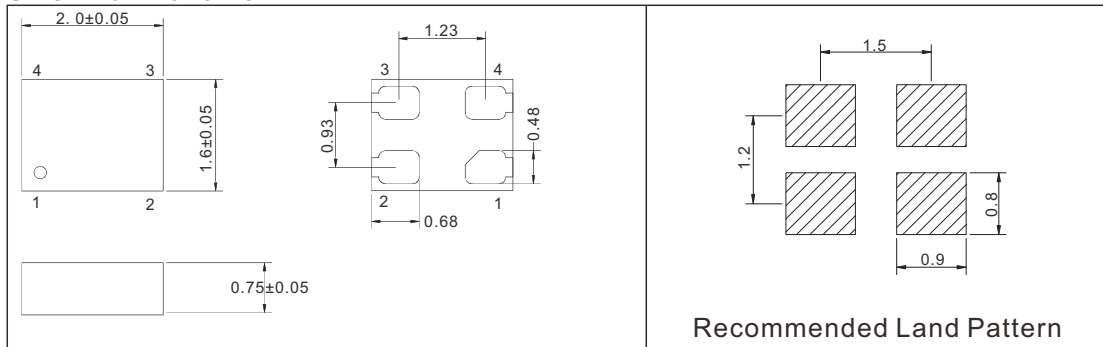
# SJK8009 MEMS MHz Oscillator



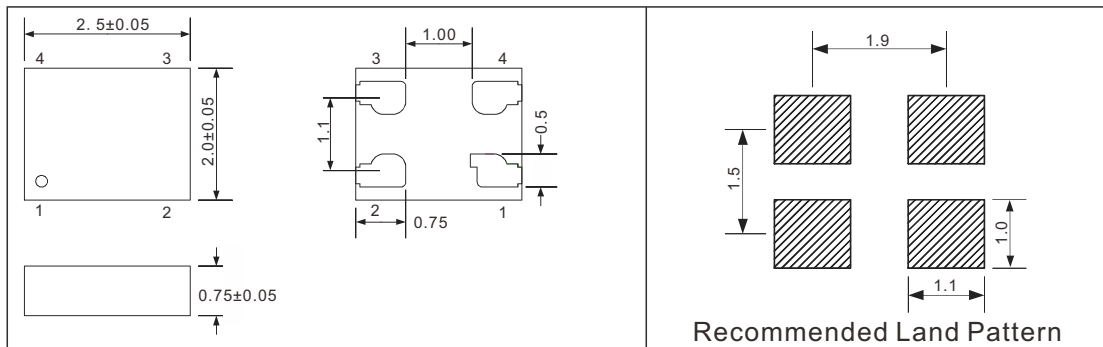
Low Power Programmable Oscillator Frequency: 115~137MHz

## Dimensions [mm]

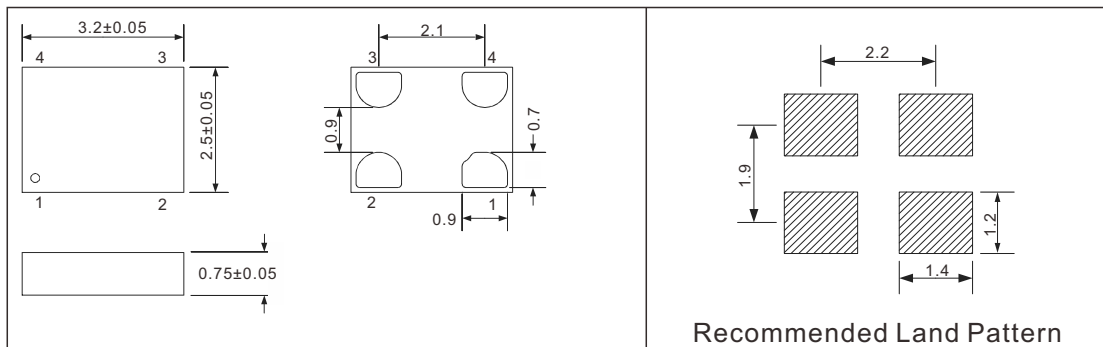
### Size: 2.0×1.6×0.75 mm



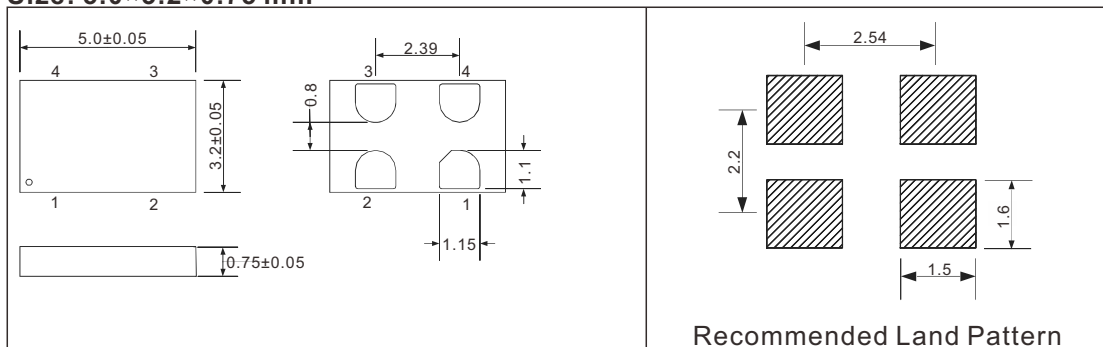
### Size: 2.5×2.0×0.75 mm



### Size: 3.2×2.5×0.75 mm



### Size: 5.0×3.2×0.75 mm



### Size: 7.0×5.0×0.9 mm

