

FEATURE

- Ultra thin, thickness 1.0mm
- Leadless type
- High precision characteristic covering up to high frequency range
- Automatic mounting
- Embossed taping specification
- Suitable for solder reflow

ELECTRICAL SPECIFICATIONS

Output Frequency Range	6 MHz ~ 100 MHz
Mode	See table 1
Frequency Tolerance (at 25°C)	±10ppm, ±20ppm, ±30ppm, or specify
Frequency Stability Over Operating Temperature Characteristics	±10ppm, ±20ppm, ±30ppm, or specify
Storage Temperature Range	-55 °C to +125 °C
Operating Temperature Range	-10 °C to + 60 °C -20 °C to + 70 °C or specify
Shunt Capacitance (C ₀)	3.5 pF Max
Driver Level (Typical)	100µW
Load Capacitance(C _L)	Series, 16pF, 20pF, 30pF, 32pF, or specify
Equivalent Series Resistance ESR (Ω)	See table 1
Aging @25°C 1 st year (Max)	±3ppm, ±5ppm/year
Shock Resistance	Drop test of 3 times on 2mm stainless plate from 75cm height

REMARK: SPECIFICATIONS SUBJECT TO CHANGE WITHOUT PRIOR NOTICE. PLEASE CONFIRM WITH OUR SALES ENGINEER.

Frequency and Equivalent Series Resistant

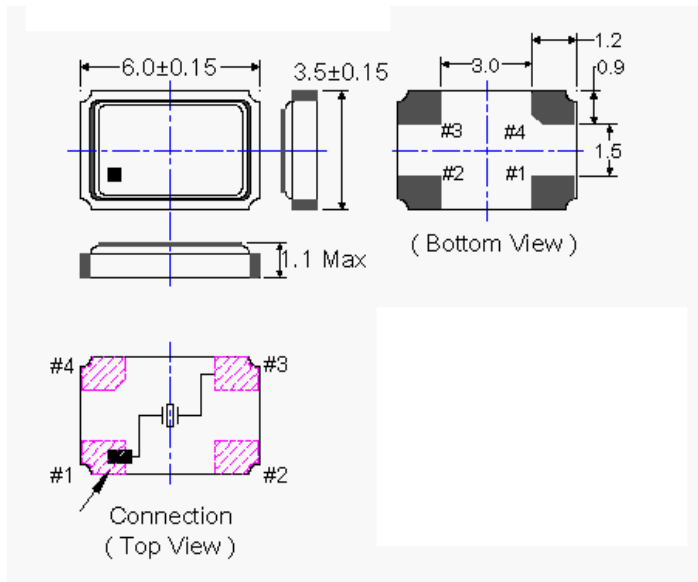
Frequency Range	E.S.R. (Ω)	Mode
6.000 MHz ~ 10.000 MHz	70 Max	Fundamental / AT
10.000 MHz ~ 40.000 MHz	40 Max	Fundamental / AT
30.000 MHz ~ 100.000 MHz	60 Max	Third Overtone / AT

Quartz Crystal

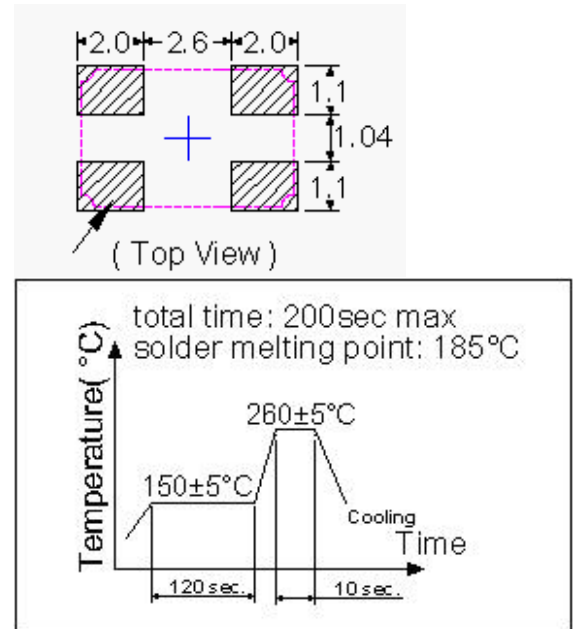


SJK-6G Series, SEAM SEALED CERAMIC 6 X 3.5MM Surface Mount Package

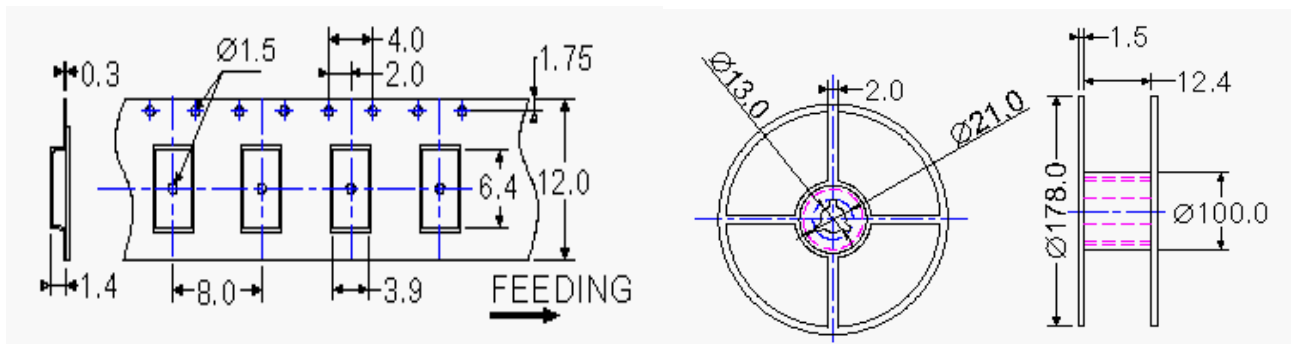
Dimension



Reference Land Pattern



PACKING



PART NUMBER SYSTEM

SJK-6G-	20.000	20	20	35	A	20
	Frequency e.g. 16:±16MHz	Load capacitance e.g. 20:20pf s: series	Frequency tolerance e.g. 20: ±20ppm	E.S.R.max e.g. 35:35Ωmax	Operating temperature range A:-10-60°C B:-20-70°C C:-40-85°C	Temperature stability: e.g. 20:±20ppm