

FEATURE

- Small SMD type crystal unit
- High reliable environmental performance
- Automatic mounting
- Reasonable cost

ELECTRICAL SPECIFICATIONS

| | |
|----------------------------------------------------------------|--------------------------------------------------------------|
| Output Frequency Range | 8.000 MHz to 110.000 MHz |
| Mode | see Table 1* |
| Frequency Tolerance (at 25°C) | ±30ppm , ±50ppm, or specify |
| Frequency Stability Over Operating Temperature Characteristics | ±30ppm, ±50ppm, or specify |
| Storage Temperature Range | -55 °C to +125 °C |
| Operating Temperature Range | -10 °C to + 60 °C -20°C ~+70°C -40°C ~+85°C |
| Shunt Capacitance (C0) | 5.0 pF Max |
| Driver Level (Typical) | 10μW~100μW |
| Load Capacitance(C _L) | Series, 16pF, 20pF, 30pF, 32pF, or specify |
| Equivalent Series Resistance ESR (Ω) | see Table 1* |
| Aging @25°C V 1 st year (Max) | ±3ppm, ±5ppm/year |
| Shock Resistance | Drop test of 3 times on 2mm stainless plate from 75cm height |

REMARK: SPECIFICATIONS SUBJECT TO CHANGE WITHOUT PRIOR NOTICE. PLEASE CONFIRM WITH OUR SALES ENGINEER.

FREQUENCIES AND EQUIVALENT SERIES RESISTANT

| Frequency Range | E.S.R. (Ω) | Mode |
|-------------------------|------------|---------------------|
| 8.000 MHz ~ 10.000 MHz | 70 Max | Fundamental / AT |
| 10.000 MHz ~ 30.000 MHz | 40 Max | Fundamental / AT |
| 30.000 MHz ~ 45.000 MHz | 60 Max | Third Overtone / AT |
| 45.000 MHz ~ 80.000 MHz | 50 Max | Third Overtone / AT |

QUARTZ CRYSTAL UNIT

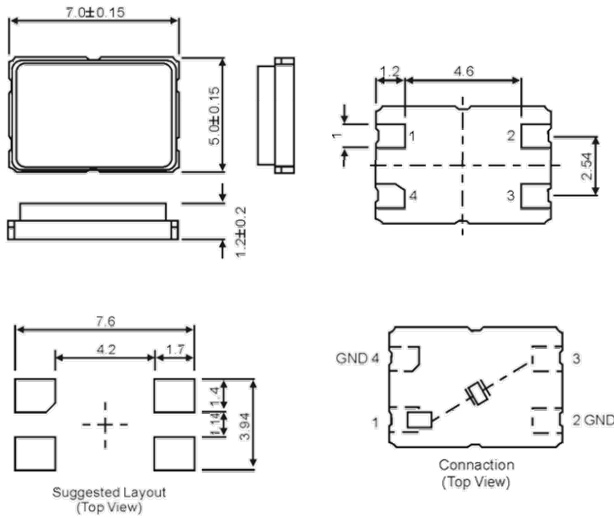


SERIES 6J, GLASS SEALED CERAMIC 7.0X5.0mm SURFACE MOUNT PACKAGE

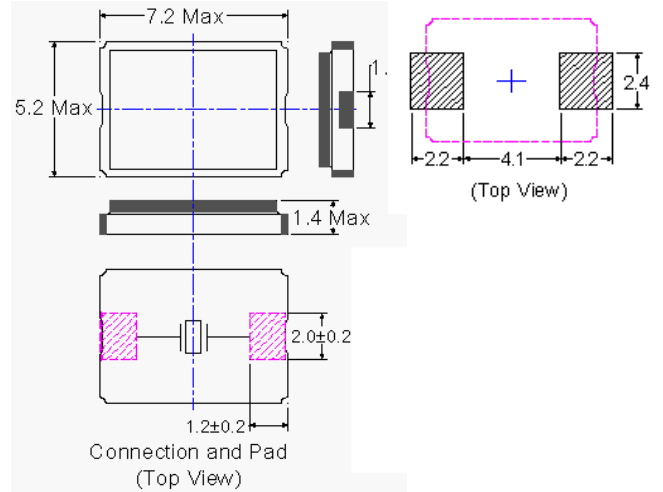
MARKING AND DIMENSION (Unit: mm)

6J4

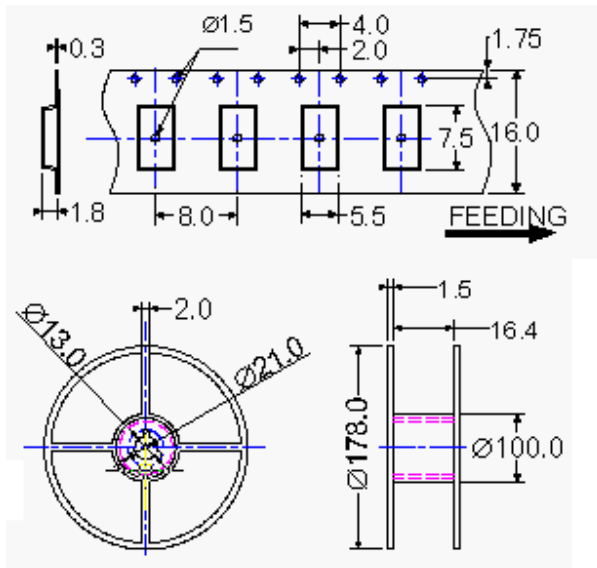
MARKING:



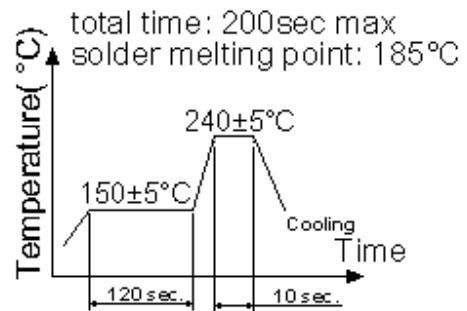
6J2



PACKING



Reflow Condition



PART NUMBER

| | | | | | | | |
|-------|------------|------------------|---------------------|--------------|-----------------|-----------------------------|------------------------|
| J | 16.000 | 20 | 30 | 60 | F | A | 50 |
| -6J2- | Frequency | Load capacitance | Frequency tolerance | E.S.R.max | Oscillate mode | Operating temperature range | Temperature stability: |
| 6J2: | e.g. | e.g. | e.g. | e.g. | F: Fundamental | A: -10-60°C | e.g. |
| 2PADS | 16: ±16MHz | 20: 20pf | 30: ±30ppm | 100: 100Ωmax | 3: 3rd overtone | B: -20-70°C | 50: ±50pp |
| 6J4: | | s: series | | | 5: 5th overtone | C: -40-85°C | |
| 4PADS | | | | | | | |