

QUARTZ CRYSTAL FILTER

SERIES 7D, CRYSTAL FILTERS (MCF) HC-49U/49T UM-1, UM-5



FEATURE

- Low insertion loss
- High selectivity

APPLICATIONS

- UHF & VHF radio
- Pagers
- Wireless telemetry
- Wireless LAN

ELECTRICAL SPECIFICATIONS

Model	Center Frequency (MHz)	No of Poles	Passband Width at-3dB (KHz)	Ripple (dB)	Insertion Loss (dB)	Stop Band Width (KHz/dB)	Guaranteed Attenuation (dB/KHz)	Termination Impedence (Kohm/pF)	Case Outline	
10M7.5A	10.700000	2	±3.75	0.5	1.5	+/-18/20	35+/300~+1.000 50/-200~1.000	1.8//5.0	HC49U	
10M7.5B		4		1.0	2.5	+/-14/40	65+/300~+1.000 80/-200~1.000	1.8//4.0	HC49UX2	
21M7.5A	21.400 21.500	2		2.0	+/-18/20	35+/350~+1.000 50/-200~1.000	0.85//6.0	UM-1	21M7.5A	
21M7.5B	21.600 21.700	4		2.5	+/-14/4.	65+/300~+1.000 80/-200~1.000	0.85//5.0	UM-1X2	21M7.5B	
45M7.5A	45.000	2		2.0	+/- 12.5/10	35+/900~+920 35/-900~920	2.5//0.5	UM-1	45M7.5A	
45M7.5B	3 O/T	4		4.0	+/- 12.5/30	75+/900~+920 35/-900~920	2.5//0.5	UM-1X2	45M7.5B	
45MF7.5A	45.0 Fundamental	2		2.5	+/- 12.5/1.0	65/-900~-920	0.3//10.0	UM-1	45MF7.5A	
45MF7.5B		4		4.0	+/- 12.5/30	90+/900~+920 90/-900~920	0.3//8.0	UM-1X2	45MF7.5B	
10M15A	10.700000	2		±7.5	0.5	1.5	+/-25/18	35+/300~+1.000 40/-200~1.000	3.0//2.0	HC49U
10M15B		4			1.0	2.5	+/-25/40	55+/300~+1.000 80/-200~1.000	3.0//2.0	HC49UX2
21M15A	21.400 21.500	2	0.5		2.0	+/-25/18	35+/350~+1.000 50/-200~1.000	1.5//3.0	UM-1	
21M15B	21.600 21.700	4	1		2.5	+/-25/40	65+/300~+1.000 80/-200~1.000	1.5//2.0	UM-1X2	
45M15A	45.000	2	2.0		+/-25/18	35+/500~+1.000 35/-200~1.000	4.0//1.0	UM-1	45M15A	
45M15B	3 O/T	4	4.0		+/-25/40	70+/500~+1.000 70/-200~1.000	4.0//1.1	UM-1X2	45M15B	
45MF15A	45.0 Fundamental	2	2.5		+/-25/15	35+/500~+1.000 40/-200~1.000	0.65//4.5	UM-1	45MF15A	
45mf15B		4	4.0		+/- 12.5/30	70+/500~+1.000 70/-200~1.000	0.70//2.5	UM-1X2	45mf15B	

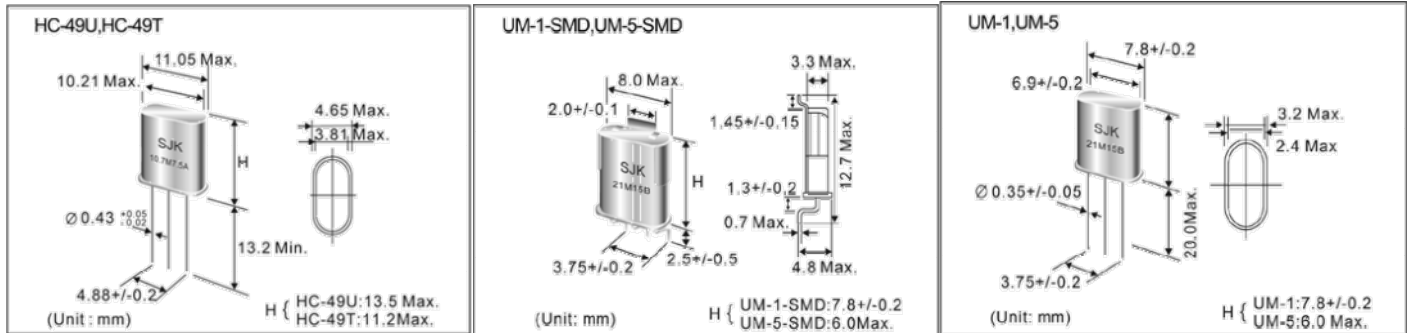
■ Case outline HC-49T, UM-1-SMD and UM-5-SMD is available

QUARTZ CRYSTAL FILTER

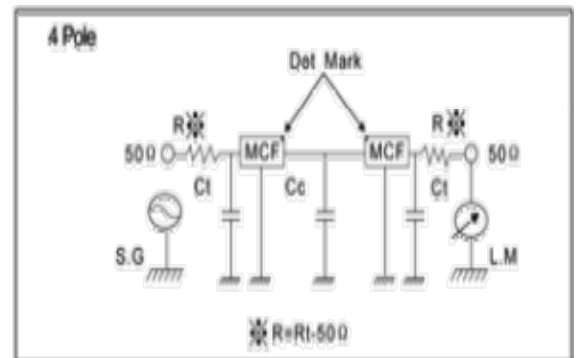
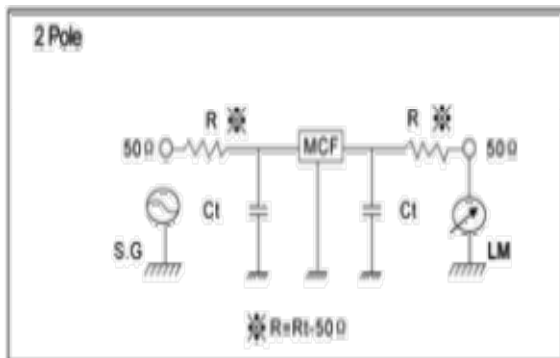


SERIES 7D, CRYSTAL FILTERS (MCF) HC-49U/49T UM-1, UM-5

DIMENSIONS



TEST CIRCUITS



PART NUMBER

SJK-7DUB	21.400	15	A
Package: e.g. 7DUA:UM-1 7DUAS:UM-1 SMD 7DUB:UM-5 7DUBS:UM-5 SMD 7DKU: HC-49U 7DUT:HC-49T	Frequency e.g. 16:16.0MHz	2x(pass band width @3dB)	A: 2 poles B: 4 poles