

CERAMIC RESONATOR



ZTT Series, With Built-in Capacitor, DIP AND CHIP TYPE

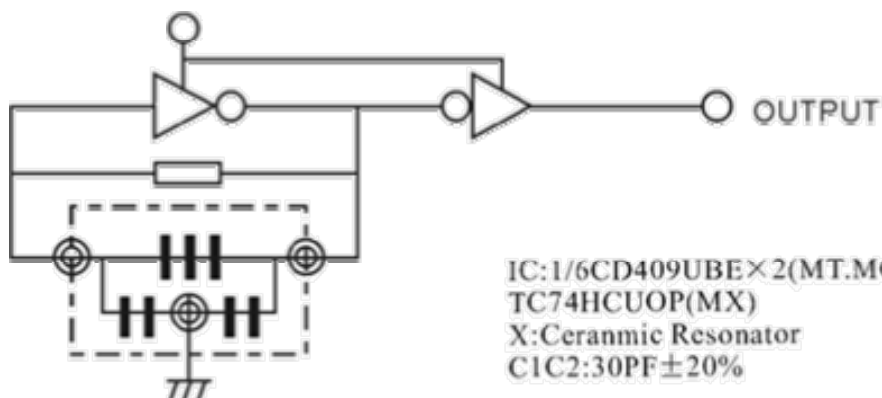
ELECTRICAL CHARACTERISTICS FOR DIP TYPE

Part Number	Frequency Range(MHz)	Frequency Accuracy(25 °C)	Frequency Stability	Operating Temperature(°C)	Aging for ten years (10)年
ZTT...MG	1.80-6.00	+/-0.5%	+/-0.3%	-20--+80°C	+/-0.3%
ZTT...MT	6.01-13.00	+/-0.5%	+/-0.3%	-20--+80°C	+/-0.3%
ZTT...MX	13.01-50.00	+/-0.5%	+/-0.3%	-20--+80°C	+/-0.3%

ELECTRICAL CHARACTERISTICS FOR CHIP TYPE

Part Number	Frequency Range(MHz)	Frequency Accuracy(25°C)	Frequency Stability	Operating Temperature (°C)	Aging for ten years (10)年
ZTTCC...MG	1.80-8.00	+/-0.5%	+/-0.3%	-20--+80°C	+/-0.3%
ZTTCS/CV...MT	7.00-13.00	+/-0.5%	+/-0.3%	-20--+80°C	+/-0.3%
ZTTCS...MX	13.01-50.00	+/-0.5%	+/-0.3%	-20--+80°C	+/-0.3%
ZTTCV...MX	16.00~50.00	+/-0.5%	+/-0.3%	-20--+80°C	+/-0.3%

TEST CIRCUIT FOR MOSIC



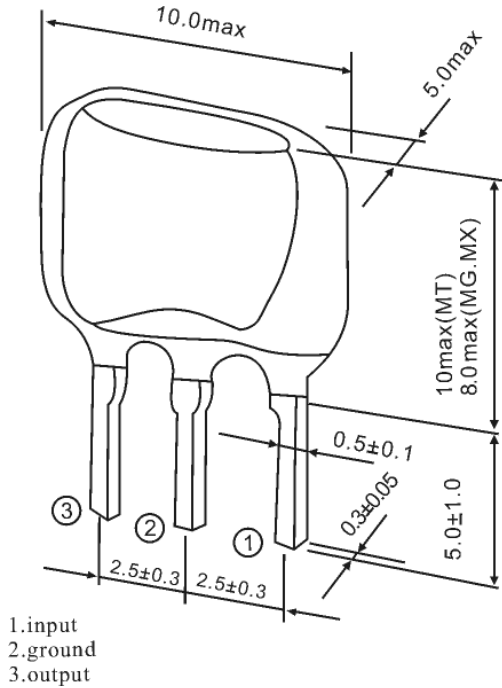
CERAMIC RESONATOR



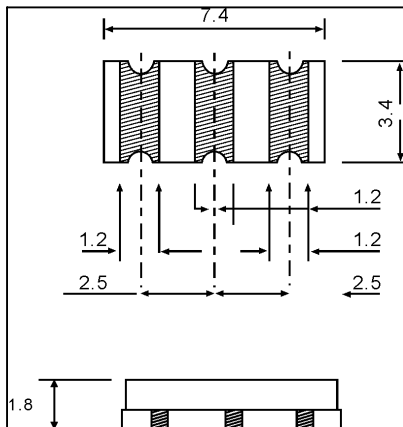
ZTT Series, With Built-in Capacitor, DIP AND CHIP TYPE

DIMENSIONS (MM)

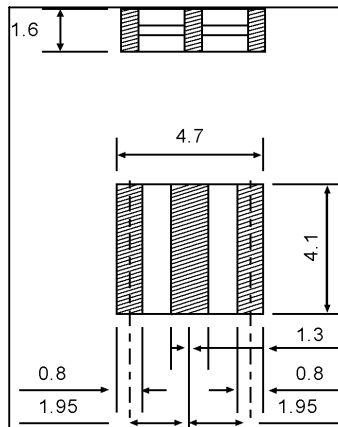
ZTT...Series



ZTCC...MG



ZTCS...MT & ZTCS...MX



ZTTCV...MT & ZTTCV...MX

