

CERAMIC RESONATOR



ZTA Series, DIP AND CHIP TYPE

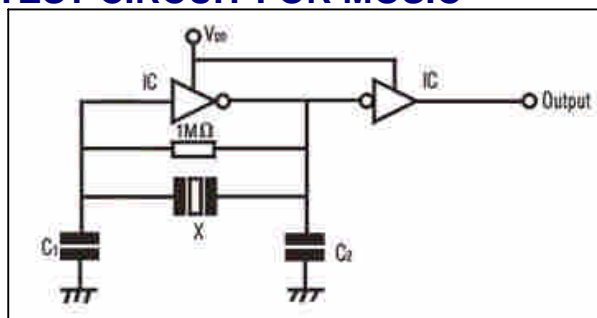
ELECTRICAL CHARACTERISTICS FOR DIP TYPE

Part Number	Frequency Range(MHz)	Frequency Accuracy(25°C)	Frequency Stability	Operating Temperature(°C)	Aging for ten years (10年)
ZTA...MG	1.80-6.01	+/-0.5%	+/-0.3%	-20--+80°C	+/-0.3%
ZTA...MT	6.01-13.00	+/-0.5%	+/-0.3%	-20--+80°C	+/-0.3%
ZTA...MX	13.01-50.00	+/-0.5%	+/-0.3%	-20--+80°C	+/-0.3%

ELECTRICAL CHARACTERISTICS FOR CHIP TYPE

Part Number	Frequency Range(MHz)	Frequency Accuracy(25°C)	Frequency Stability	Operating Temperature (°C)	Aging for ten years (10年)
ZTACC...MG	1.80-8.00	+/-0.5%	+/-0.3%	-20--+80°C	+/-0.3%
ZTACS/CV...MT	7.00-13.00	+/-0.5%	+/-0.3%	-20--+80°C	+/-0.3%
ZTACS...MX	13.01-50.00	+/-0.5%	+/-0.3%	-20--+80°C	+/-0.3%
ZTACV...MX	16.00~50.00	+/-0.5%	+/-0.3%	-20--+80°C	+/-0.3%

TEST CIRCUIT FOR MOSIC



IC(MG,MT):1/6TC4069UBP×2
 (MX) :1/6TC74HCU04×2
 C₁C₂(MG,MT):30pF
 (MX) :30pF(13.01~20.0MHz)
 15pF(20.01~25.99MHz)
 5pF(26.00~50.00MHz)
 X: Ceramic Resonator
 V_{DD}(MG,MX): +5V
 (MT) : +12V

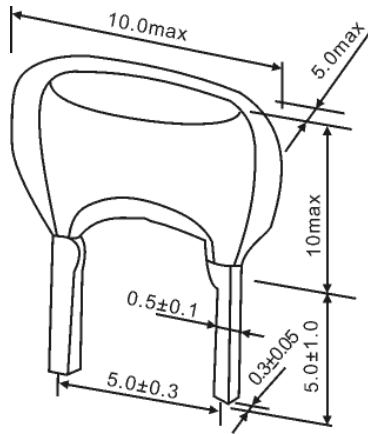
CERAMIC RESONATOR



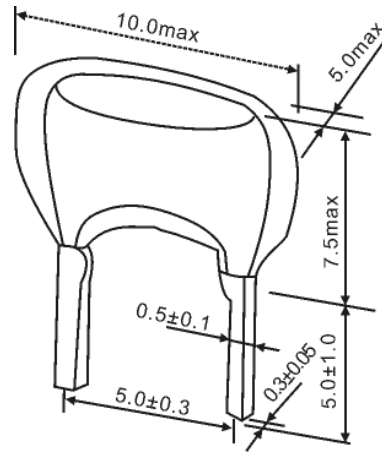
ZTA Series, DIP AND CHIP TYPE

DIMENSIONS (MM)

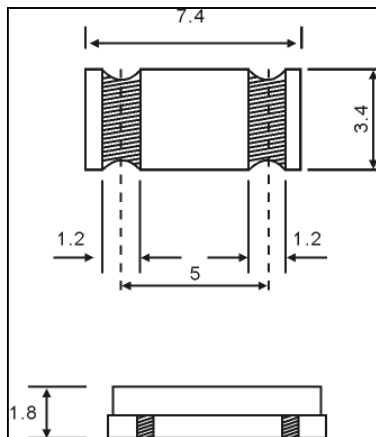
ZTA...MG & ZTA...MX



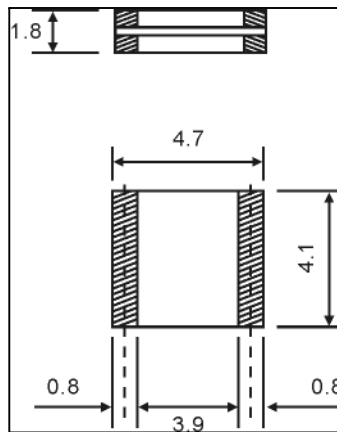
ZTA...MT



ZTACC...



ZTACS...



ZTACV...

