

SMD 3225 Crystal Oscillator

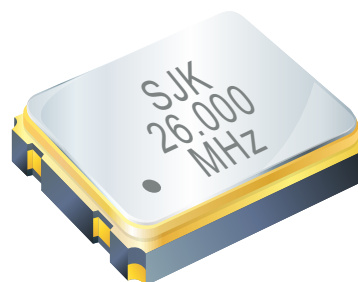


Size: 3.2×2.5×1.00 mm

3N Series SMD Crystal Oscillator

Features

- 3225 size, 1.0mm high, ultra small SMD seam sealed clock oscillator unit.
- Low voltage operation.
- Frequency range: 1MHz ~125MHz
- 3-state function.
- Automatic mounting and reflow soldering.
- Applications: Peripherals, Bluetooth, DSC, PC, Mobile phone, PDA, DVC, Telecommunications, NFC, etc.
- Low current consumption.
- RoHS Compliant / Pb-Free.

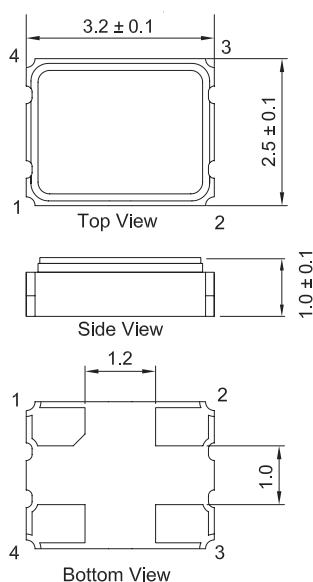


Electrical Specifications

Item /Type	3N (SMD 3225 Crystal Oscillator)	
Output Type	CMOS	
Output Load	15pF, or specify	
Oscillation Mode	Fundamental / 3rd Overtone	
Supply Voltage	1.8V	2.5V, 2.8V, 3.3V
Frequency Range	1 ~ 125 MHz	
Frequency stability	±25ppm, ±50ppm	
Operating Temperature Range	-20~+70°C, -40~+85°C, or specify	
Storage Temperature Range	-55~+125°C	
Voltage Vol (Max.) / Voh (Min.)	0.1VDD / 0.9VDD	
Rise(Tr) / Fall(Tf) Time	8ns Max.	
Supply Current	15mA Max.	
Symmetry	45~55%	
Start-up Time	5ms Max.	
Phase Jitter (12KHz~20MHz)	1ps Max.	
Aging (at 25°C)	±3ppm/Year Max.	

Dimensions

Units:mm



PAD FUNCTION:
 1: ENABLE CONTROL
 2: GND
 3: OUT
 4: VDD

