

Voltage Controlled Crystal Oscillator



Thru-hole half Size VCXOs

6RH Series Thru-hole VCXOs

Features

- All metal welded package.
- High precision characteristic covering up to wide frequency range from 1MHz up to 80MHz.
- 5V / 3.3V operating voltage.
- CMOS output.
- 3-state function.
- 8-Pin DIP (Half-Size Package)
- Applications: Telecommunications, Mobile communications, Avionics, Test equipments, Electronic instruments, etc.
- RoHS Compliant / Pb-Free.

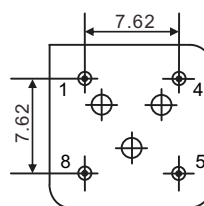
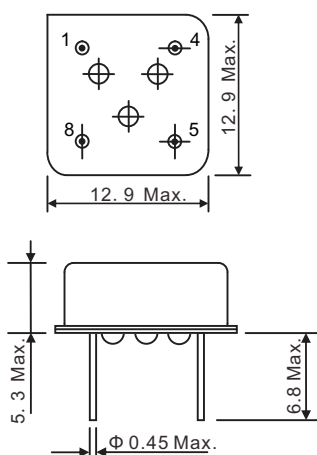


Electrical Specifications

Item /Type	6RH (6R Thru-Hole VCXOs)	
Output Type	CMOS	
Package	All metal, hermetically sealed, welt package	
Supply current	40mA Max.	60mA Max.
Supply Voltage	3.3V	5.0V
Frequency Range	1 ~ 80 MHz	
Frequency stability	±25ppm, ±50ppm	
Operating Temperature Range	-20~+70°C, -40~+85°C, or specify	
Storage Temperature Range	-55~+125°C	
Load	15pF	
	Voltage Voh	3.0V Min. 4.5V Min.
	Voltage Vol	0.3V Max. 0.4V Max.
	Current Ioh	-4.0mA -8.0mA
	Current Iol	4.0mA 8.0mA
	Duty Cycle	40/60 Max.
	Rise/Fall time	5ns Max.
Frequency Control	Positive Transfer Characteristic	
	Pullability	±50ppm, ±100ppm, ±150ppm, ±200ppm Min.
	Control Voltage	0.3Vdc to 3.0Vdc 0.5Vdc to 4.5Vdc
	Center Voltage	1.65Vdc 2.5Vdc
	Monotonic Linearity	<±15% <±15%
	Input impedance	50K ohms Normal 50K ohms Normal
Size	12.6×12.6×5.0 mm	

Dimensions

Units:mm



PAD Function:
 1: Control Voltage
 4: GND
 5: Out
 8: Vdd (5V/3.3V)