

SMD Monolithic Crystal Filters



Size: 7.0×5.0×1.3 mm

CF Series 4Pole 7050 SMD MCF

Features

- 7.0×5.0×1.3mm, light weight and miniature SMD crystal filter.
- 4 pole function in a single package.
- Excellent guaranteed attenuation.
- Excellent shock and vibration resistance.
- Automatic mounting, solder reflow capable.
- Applications in mobile, wireless communications, cellular, cordless phones, radio communications.
- RoHS Compliant / Pb-Free.

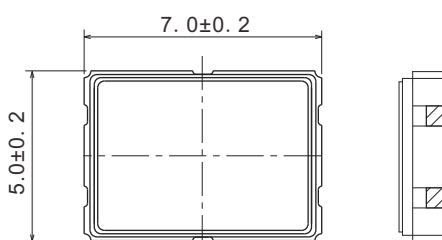


Electrical Specifications

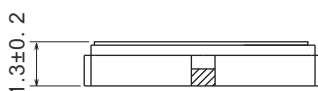
Item /Type	CF (7050 SMD Crystal Filters)			
Normal Frequency	21.400MHz	45.000MHz	46.350MHz	50.850MHz
Pole	4 Pole	4 Pole	4 Pole	4 Pole
Overtone Order	Fundamental	Fundamental	Fundamental	Fundamental
Pass Bandwidth	±3.0kHz min./3dB	±7.5kHz min./3dB	±3.5kHz min./3dB	±5kHz min./3dB
Stop Bandwidth	±6.25kHz min./18dB	±25kHz min./30dB	±18kHz min./40dB	±20kHz min./40dB
Ripple	1dB max.	1dB max.	1dB max.	1dB max.
Insertion Loss	6dB max.	4dB max.	5dB max.	5dB max.
Guaranteed Attenuation	80dB min.	80dB min.	80dB min.	80dB min.
Operating Temperature Range	-20~+70°C			
Size (L×W×H)	7.0×5.0×1.3 mm			
Packing Unit	1000 pcs. / Reel			

Dimensions

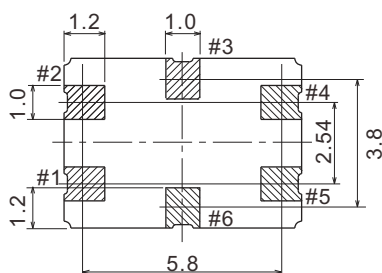
Units:mm



Top View



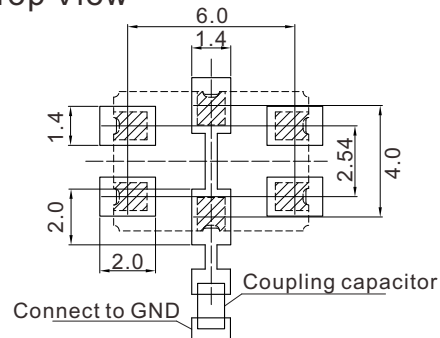
Slide View



Bottom View

Pin No.	Connection
#1	INPUT
#2	GND
#3	Connect with #6
#4	OUTPUT
#5	GND
#6	Connect with #3

Recommended Land Pattern Top View



Measurement Circuit

