

OCXO | Oven Controlled Crystal Oscillator **SJK**

Size: 36.3×27.2×12.7 mm

6X Series DIP OCXO

Features

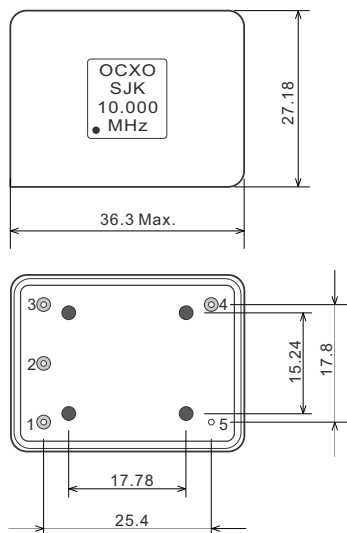
- Dimension 36.3×27.2×12.7mm
- Frequency range from 5MHz to 100MHz
- SC cut crystal
- Output type: LVTTTL/Sine wave
- Low phase noise
- Applications: Base station, Synthesizer, Test and measuring equipment, etc
- RoHS Compliant /Pb Free



Standard Specification

Item /Type		6X Series (DIP OCXO)
Output Type		LVTTTL/Sine wave
Output Load		15pF, or specify
Output Wave Form		Rectangular
Frequency Range		5~100MHz
Supply Voltage		5.0V/12V
Operating Temperature		-30~+70°C, or specify
Frequency Stability	Tolerance	±5.0ppb Max.
	vs Temperature	±3ppb~±10ppb
	vs Supply Voltage	±0.5ppb Max.
	vs Aging	±0.5ppb/Days, ±50ppb/Year, ±0.3ppm/10 Years Max.
Voltage Vol(Max.) /Voh (Min.)		0.1Vcc/0.9Vcc Max.
Duty Cycle		45~55%
Spurious		-60dBC Max.
Warm-up		±10ppb (In 5 minutes @25°C, referenced to 1 hour)
Power Consumption (Steady state)		1.3W Max.
Frequency Adjustment Range		±0.5ppm (5V±0.2V/12±0.5V)
Phase Noise @20MHz	@10Hz	-120dBc/Hz Max.
	@100Hz	-135dBc/Hz Max.
	@1KHz	-145dBc/Hz Max.
	@10KHz	-150dBc/Hz Max.

Dimensions [mm]



Pin Connections

Pin No.	Connection
1	Vco Input /NC
2	Reference Voltage /NC
3	Vcc
4	R.F. Output
5	0 Volts & Case

