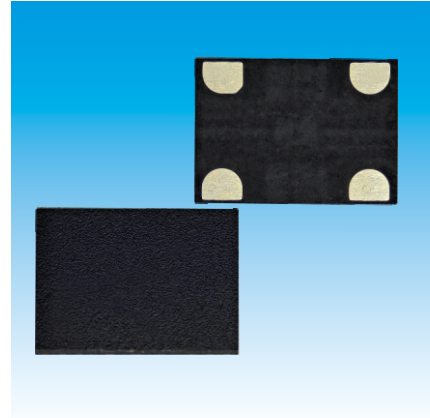


Features

- Any frequency between 80.000001 and 220MHz accurate to 6 decimal places
- Frequency stability as low as $\pm 10\text{ppm}$
- Ultra low phase jitter: 0.5ps (12 kHz~20 MHz)
- Standby mode for longer battery life
- LVCMOS/LVTTL compatible output
- Size with 2.5×2.0, 3.2×2.5, 5.0×3.2, 7.0×5.0, mm×mm
- Automatic mounting and reflow soldering
- Applications: SATA, SAS, Ethernet, Storage, Network, Telecom, Industrial control, etc.
- RoHS Compliant /Pb Free

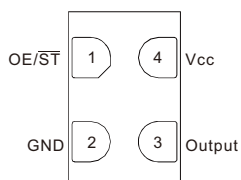


Standard Specification

Item /Type	SJK8209
Output Type	LVCMOS/LVTTL
Frequency Range	80.000001~220MHz
Supply Voltage	1.8V~3.3V
Frequency Stability	$\pm 10\text{ppm} \sim \pm 50\text{ppm}$
Current Consumption	36mA Max.
Standby Current	70 μ A Max.
OE Disable Current	31mA Max.
Operating Temperature	-20~+70°C / -40~+85°C
Duty Cycle	45~55%(f<=165MHz) / 40~60%(f>165MHz)
Rise/Fall Time	2ns Max.
Voltage Vol (Max.)/Voh (Min.)	10% Vcc/90%Vcc
Voltage Vil (Max.)/Vih (Min.)	30% Vcc/70% Vcc
Input Pull-up Impedance	250K Ω Max. (Pin1 Logic High)
	2M Ω Min. (Pin1 Logic Low)
Start-up Time	10ms Max.
OE Enable/Disable Time	115ns Max.
Resume Time	10ms Max.
RMS Period Jitter	3pS Max
RMS Phase Jitter (12KHz~20MHz)	1pS Max.
Storage Temperature	-65~+150°C
Packing Unit	2520, 3225 size
	5032, 7050 size
	3000pcs.Reel
	1000pcs.Reel

Pin Functions

Top View

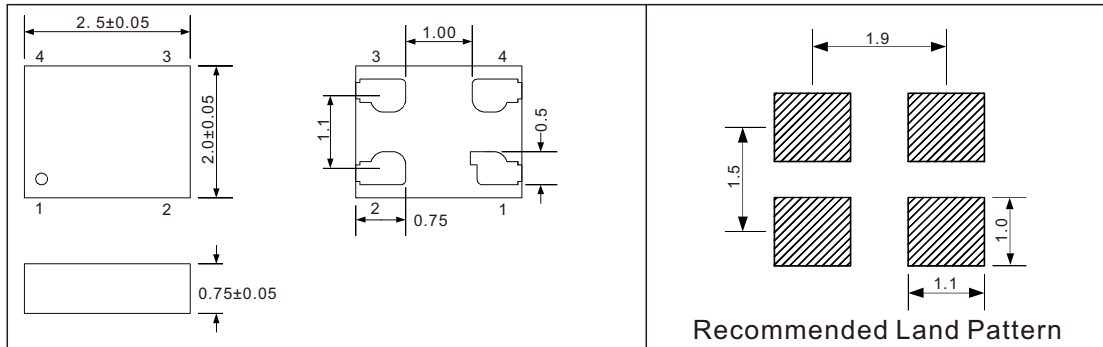


Pin Connections

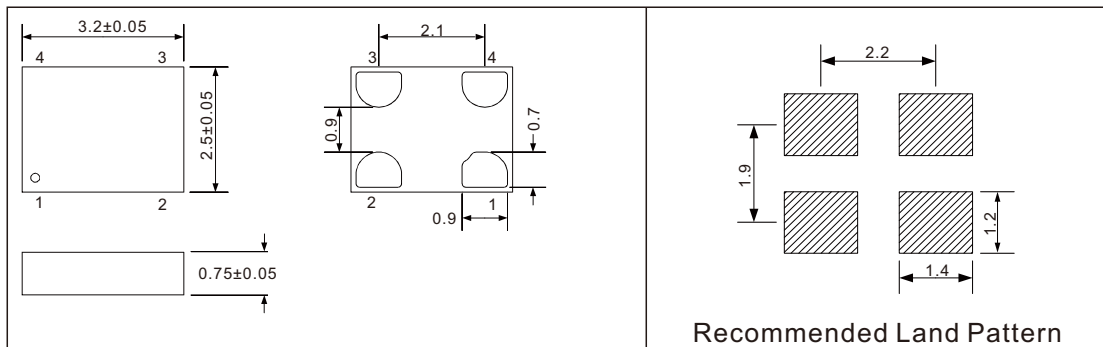
Pin No.	Connection
1	OE /ST
2	GND
3	Output
4	Vcc

Dimensions [mm]

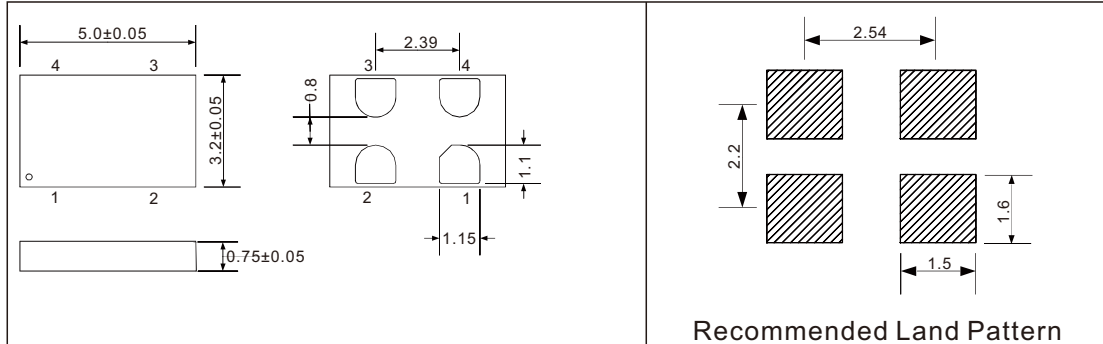
Size: 2.5×2.0×0.75 mm



Size: 3.2×2.5×0.75 mm



Size: 5.0×3.2×0.75 mm



Size: 7.0×5.0×0.9 mm

