

Features

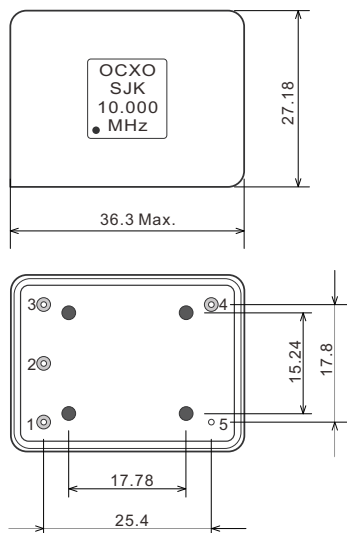
- Dimension 36.3×27.2×12.7mm
- Frequency range from 5MHz to 100MHz
- SC cut crystal
- Output type: LVTTTL / Sine wave
- Low phase noise
- Applications: *Base Station, Synthesizer, Test and Measuring Equipment, etc*
- RoHS Compliant & Pb Free



Standard Specifications

Type		6X Series DIP OCXO	
Output Type		LVTTTL/Sine wave	
Output Load		15pF, or specify	
Output Wave Form		Rectangular	
Frequency Range		5~40MHz	10~100MHz
Supply Voltage		3.3V/5.0V	12V
Operating Temperature		-30~+70°C, or specify	
Frequency Stability	Tolerance	±5.0ppb Max.	
	vs Temperature	±3ppb~±10ppb	
	vs Supply Voltage	±0.5ppb Max.	
	vs Aging	±0.5ppb/Days, ±50ppb/Year, ±0.3ppm/10 Years Max.	
Voltage Vol(Max.) / Voh (Min.)		0.1Vcc/0.9Vcc Max.	
Duty Cycle		45~55%	
Spurious		-60dBC Max.	
Warm-up		±10ppb (In 5 minutes @25°C, referenced to 1 hour)	
Power Consumption (Steady state)		1.3W Max.	
Frequency Adjustment Range		±0.5ppm (5V±0.2V/12±0.5V)	
Phase Noise @20MHz	@10Hz	-120dBc/Hz Max.	
	@100Hz	-135dBc/Hz Max.	
	@1KHz	-145dBc/Hz Max.	
	@10KHz	-150dBc/Hz Max.	

Dimensions [mm]



Pin Connections

Pin No.	Connection
1	Vco Input / NC
2	Reference Voltage / NC
3	Vcc
4	R.F. Output
5	0 Volts & Case

